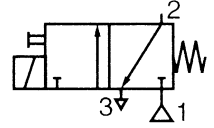


Description:

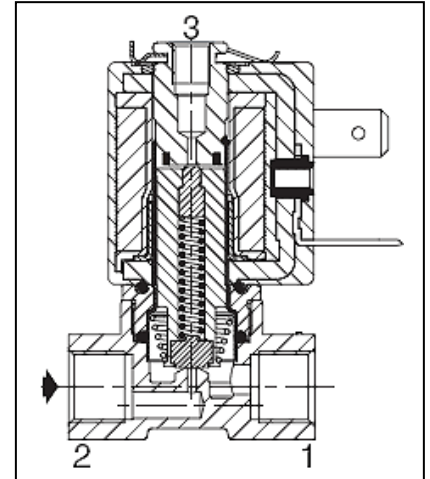
- Compact design for controlling single-acting drives or filling and emptying processes
- Guide tube can be quickly dismantled for easy maintenance
- Manual operator
- Interchangeable magnetic heads (AC/DC)


General:

Medium *	Air, neutral gases, water, oil
Pressure difference	See characteristics valve body [1 bar = 100 kPa]
Maximum viscosity	40 cSt (mm ² /s)
Response time	5 to 10 ms

Parts in contact with the medium:*

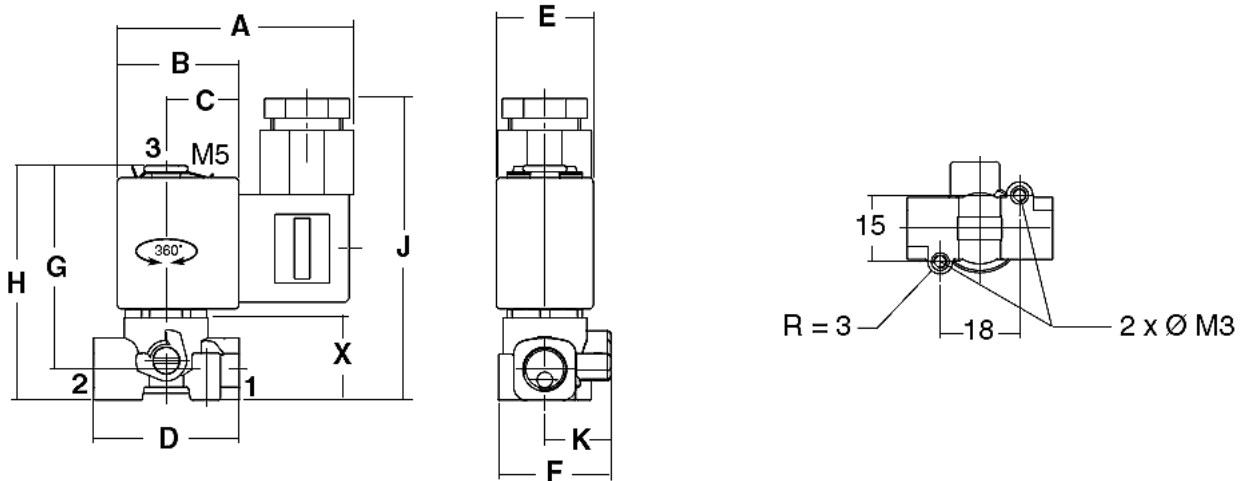
Housing	Stainless steel 1.4401
Guide pipe	Stainless steel
Armature of magnet and counter-armature	Stainless steel
Springs	Stainless steel
Valve seat	Stainless steel
Seals and valve disc	FPM
End ring	Copper
Insulation class	F/IP 65 (with connector socket fitted)
Electrical connection	Connector socket acc. to DIN 43650
Electrical design	IEC 65



* The resistance of the parts in contact with the medium must be checked separately.



MV18ES24



Solenoid valve, normally closed, directly operated

Art. No.	Type No.	Thread	DN	A	B	C	D	E	F	G	H	J	K	X
				mm	mm	mm	mm	mm	mm	mm	mm	mm	mm	mm
158094	MV18ES24	G 1/8	1.2	60.5	27.5	16.5	33.0	22.0	25.5	46.0	53.0	69.0	15.0	18.6
158093	MV18ES230	G 1/8	1.2	60.5	27.5	16.5	33.0	22.0	25.5	46.0	53.0	69.0	15.0	18.6

Solenoid valve, normally closed, directly operated

Art. No.	Type No.	Thread	Voltage	Operating pressure min. / max. (1) bar	Medium temperature min. / max. (2) °C	Weight * kg
158094	MV18ES24	G 1/8	24 V DC	0 / 15	-10 / 100	0.138
158093	MV18ES230	G 1/8	230 V AC, 50 - 60 Hz	0 / 15	-10 / 100	0.138

* Inkl. Solenoid and connector

(1) For detailed pressure information each medium, please see characteristics valve body.

(2) At temperatures below zero the medium may freeze and damage the valve.

Characteristics valve body:

Connection		Nom. width (mm)	Flow coefficient (Kv)				Working pressure difference (bar)			Manual operator	Solenoid valve Art. No.
							Air / oil / water				
2 -> 1	3		2 -> 1		3 -> 1		min.	max. ~	max. =		
			m ³ /h	l/min	m ³ /h	l/min					
G 1/8	M5	1.2	0.05	0.8	0.05	0.8	0	15	15	ja	158094 158094

Electrical data:

Coils				Power				Ambient Temperature of magnet
AC		DC		Pickup	Holding		hot / cold	
Type No.	Voltage [V]	Type No.	Voltage [V]	AC			DC	[C]
				[VA]	[VA]	[W]	[W]	
430-429	230/50	430-413	24	12	6	4	5 / 6.9	-10 ° to 60 °
430-425	115/50	430-411	12					

Special versions (on request):

- Stainless steel body
- EPDM seals
- Ex protection acc. to ATEX 94/9 EC, Zones 1/21-2/22, Category 2-3
- Oxygen applications
- Cable socket with LED and protective circuit

Installation:

- Any mounting position
- Valve bodies have two mounting holes
- Threaded connections G acc. to DIN EN ISO 228-1
- Installation and maintenance instructions enclosed with each valve